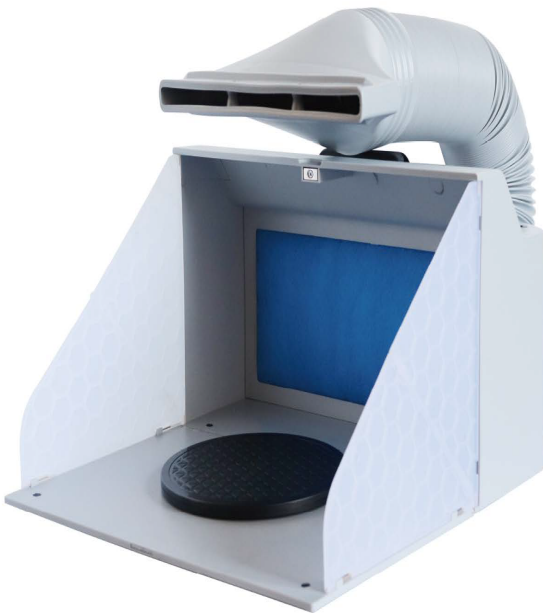


Paasche Airbrush Co INSTRUCTION MANUAL

SPRAY BOOTH HB-16-2F

Thanks for purchasing our spray booth HB-16-2F and please read this Instruction Manual carefully and thoroughly before operating the spray booth to receive optimum results.



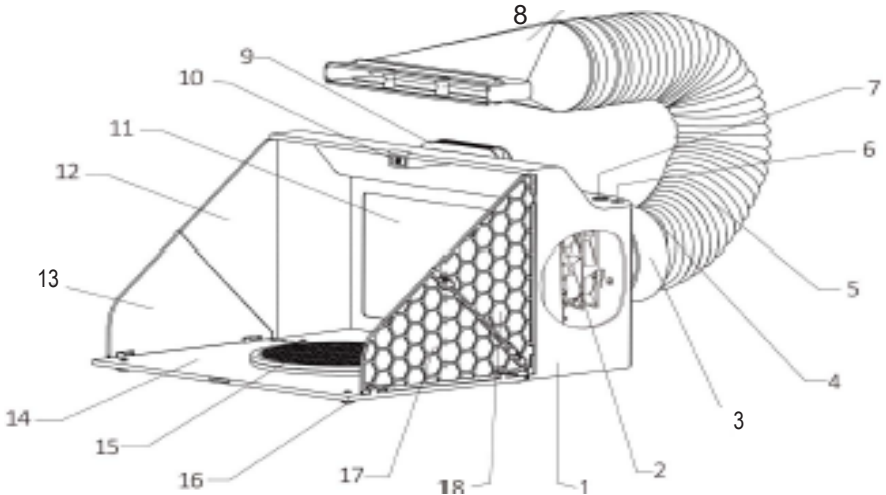
Features:

1. The spray booth can be folded for storage and is light weight
2. Dual Fans provide higher air flow.
3. High density filter removes paint particulate and fumes are exhausted out the duct work.
4. Includes on/off switch that is lite when operating. Low noise, about 45 db.
5. A small turntable is included.

Specification:

| | |
|-----------------------|---------------------|
| Model: | HB-16-2F |
| CFM: | 160 CFM |
| Input: | 115 Volts, 60 Hz |
| Net Weight: | 9 lbs |
| Packed Dimensions: | 16"W x 8"D 10.5"H |
| Assembled Dimensions: | 16"W x 16"Dx 10.5"H |

Components:

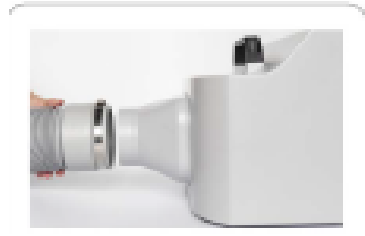


- | | |
|-------------------------------|------------------------------|
| 1. Booth Body | 10. Magnet |
| 2. Fan | 11. Paint Filter |
| 3. Connector Fan Duct | 12. Upper Left Cover Board |
| 4. Air Duct Fasten Buckle | 13. Bottom Left Cover Board |
| 5. Duct | 14. Front Floor Board |
| 6. Connector For Cord Adapter | 15. Turntable |
| 7. Switch | 16. Rubber Feet |
| 8. Duct Head | 17. Bottom Right Cover Board |
| 9. Handle | 18. Upper Right Cover Board |

Set-up Instructions:



1. Release the latch and drop down the work table of booth. Fold out right and left side to complete work space.



2. Fix the duct adapter to the back of the spray booth then Connect the duct to the duct adapter.



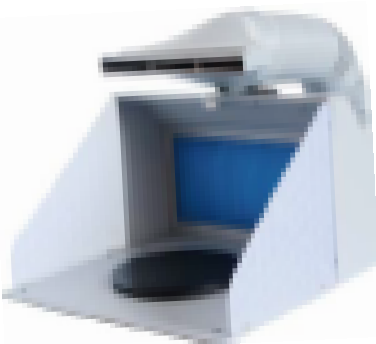
3. Lock on the duct by tightening the fasteners



4. Extend the hose



5. Attach the duct head to duct hose



6. Complete



7. Plug in the cord adapter and connect plug to power outlet with ground. Then turn switch to on.

Safety instructions and hazard warnings

Please read the entire operating instructions before using the product for the first time. They contain important information about the correct operation. The guarantee/warranty will be void if damage is incurred resulting from non-compliance with the operating instructions. Liability for any and all consequential damage is excluded!

We do not assume any liability for damage to property or personal injury caused by improper use of or the failure to observe the safety instructions, in such cases the guarantee/warranty will be void.

- **WARNING: TO PREVENT HEALTH DAMAGE, NEVER USE POISONOUS, FLAMMABLE OR EXPLOSIVE PAINTS OR MATERIALS.**
- The unauthorized conversion, modification or disassembly of the product is inadmissible because of safety and approval reasons (CE).
- The product is not a toy and must be kept out of the reach of children. Particular care must therefore be exercised if children are present.
- The product must not get damp or wet, it is only intended for use in dry, indoor locations. There is a risk of a fatal electric shock.
- Do not expose the product or its accessories to damp or extremely high or low temperatures.
- Dropping, falling, pressure or tensile forces could destroy or at least limit the function of the product.
- Never position the device in the vicinity of combustible or easily inflammable materials, e.g. Curtains!
- Always make sure that the rotary table on which the object is placed is located in the center of the housing!
- The device should continue to run for approximately 2 to 6 minutes after each application, this ensures the self-cleaning of the device!
- Always turn the device off and pull the main plug when the device is not in use!
- If the filter is contaminated with substantial amounts of paint, it will no longer work efficiently and must be replaced with a clean filter.
- Always ensure proper ventilation!
- To not impair the extraction performance, you should keep the exhaust pipe as short and straight as possible!
- If you have reason to assume that safe operation is no longer possible, disconnect the device immediately and secure it against inadvertent operation.
- Always follow instructions on your paint label. If paint mask is required it should be worn while spraying in the booth

It can be assumed that safe operation is no longer possible if:

- the device shows visible signs of damage
- the device no longer functions
- after a long period of storage under unfavorable conditions or
- following heavy stress damage during transportation

Paasche Airbrush Company
9511 58th Place Kenosha, WI 53144
Phone: (800) 621-1907
Website: paascheairbrush.com
E-Mail: info@paascheairbrush.com